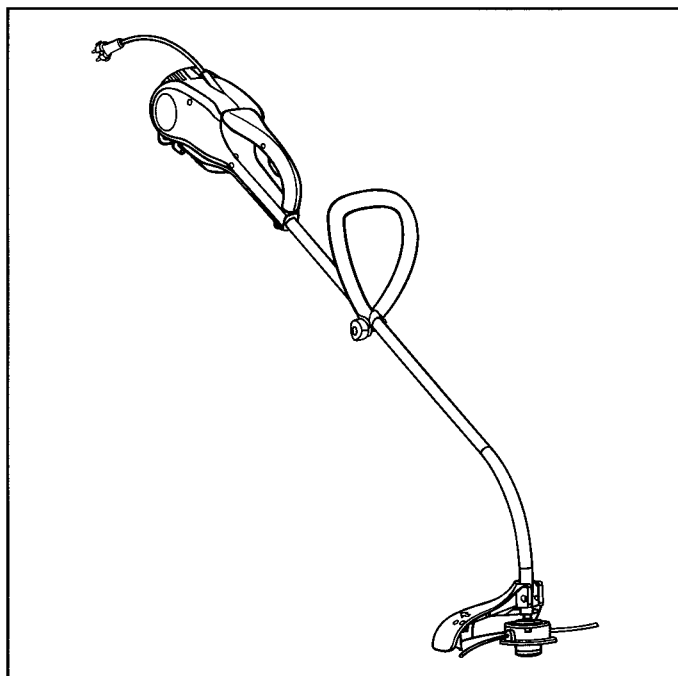




ILLUSTRATED PARTS LIST

REX 900

SERIAL NUMBER PREFIX - 01



April 2001

	PN ELX	PN McC		
B 1	538242137	242137		1
2	● 538236381	236381	M5x10	2
3	● 538235248	235248		2
4	● 538241973	241973		1
5	● 538235642	235642		2
6	● 538235921	235921	M6x30	1
7	● 538242061	242061		1
8	● 538235912	235912		1
A 9	FIGURE 2	FIGURE 2		
C 10	538248574	248574		1
11	● 538242146	242146	M6x40	1
B 12	● 538242147	242147		1
13	538242000	242000		1
14	● 538242002	242002		1
15	● 538241745	241745		2
C 16	538242082	242082		1
C 17	538242022	242022		1
C 18	● 538048956	00248956		2
19	● 538242060	242060		1
C 20	● 538242012	242012		1
21	538242010	242010		1
22	538242009	242009		1
23	538242008	242008		1
24	538242007	242007		1
25	538240862	240862		8
26	538242081	242081	(schuko)	1
27	● 538241051	241051		1
28	538242080	242080		1
C 29	538241576	241576		1
30	538242011	242011		1
31	538240862	240862		2
32	538241052	241052		1

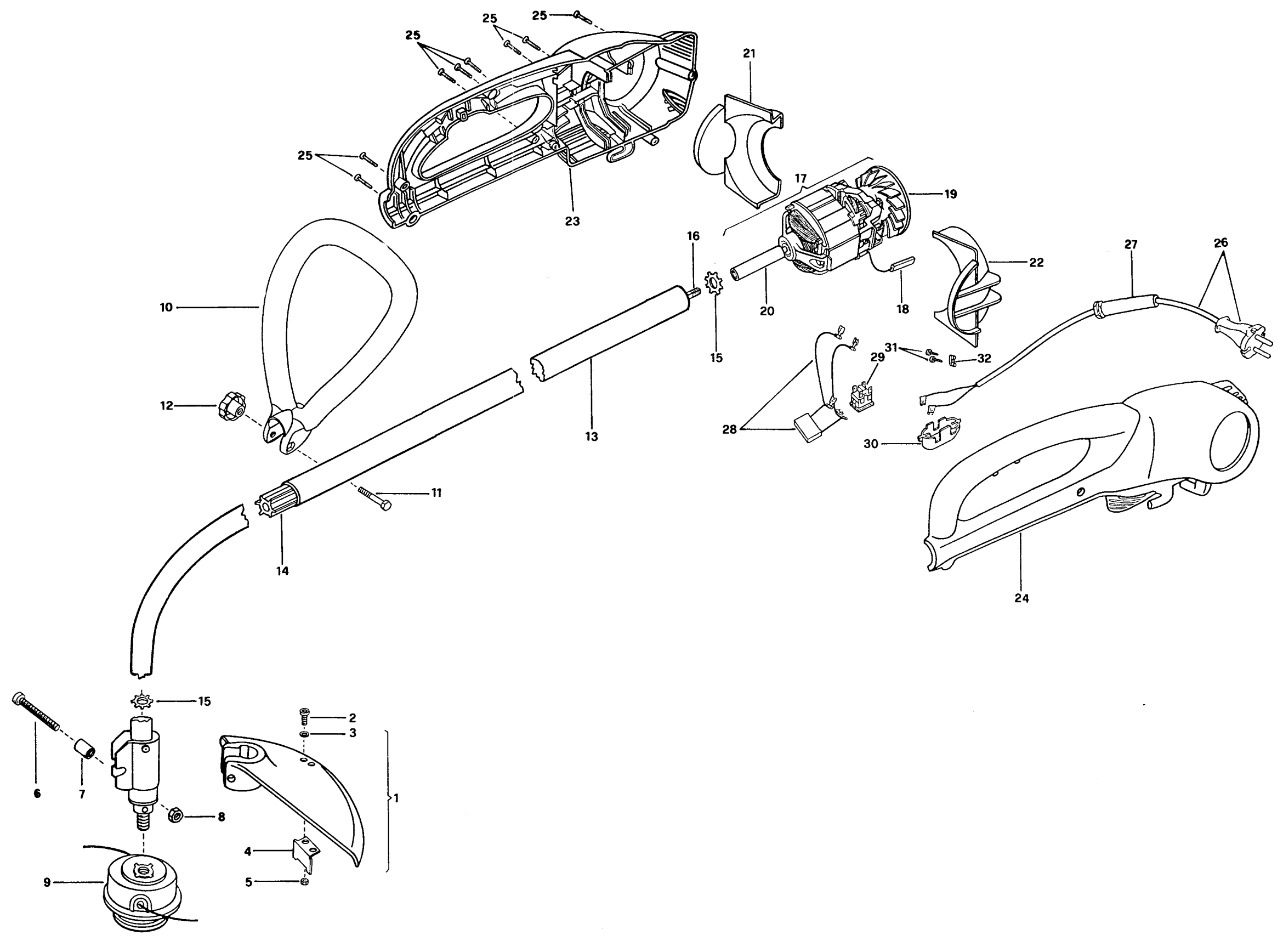
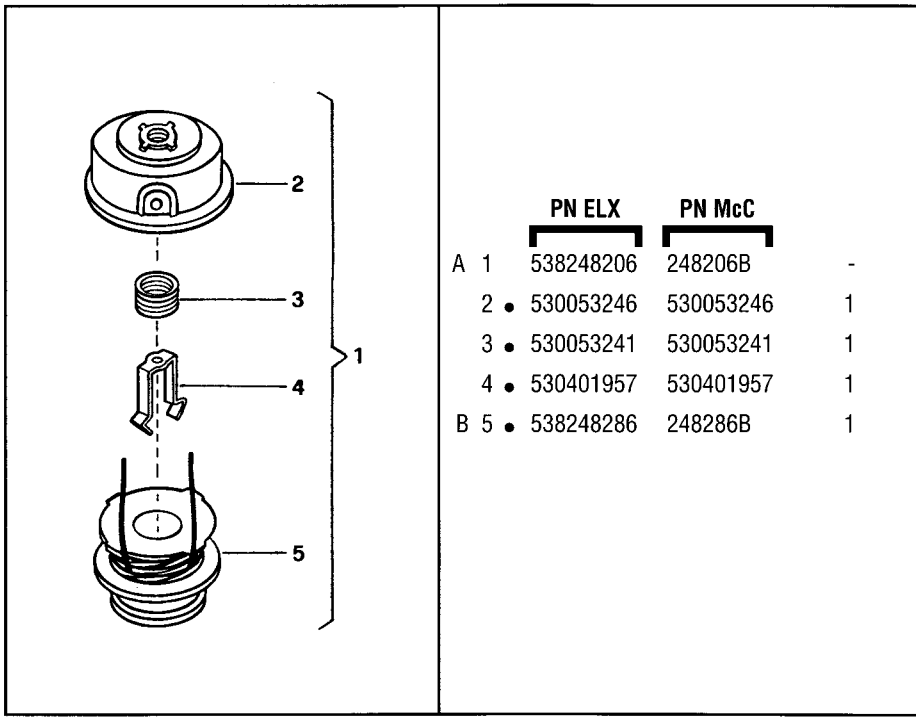


FIGURE 1

A = high moving - alta rotazione - haute demande - große Nachfrage
 B = medium moving - media rotazione - moyenne demande - mittelmäßige Nachfrage
 C = slow moving - bassa rotazione - basse demande - wenige Nachfrage



		PN ELX	PN McC	
A	1	538248206	248206B	-
	2 •	530053246	530053246	1
	3 •	530053241	530053241	1
	4 •	530401957	530401957	1
B	5 •	538248286	248286B	1

FIGURE 2

A = high moving - alta rotazione - haute demande - große Nachfrage
 B = medium moving - media rotazione - moyenne demande - mittelmäßige Nachfrage
 C = slow moving - bassa rotazione - basse demande - wenige Nachfrage